

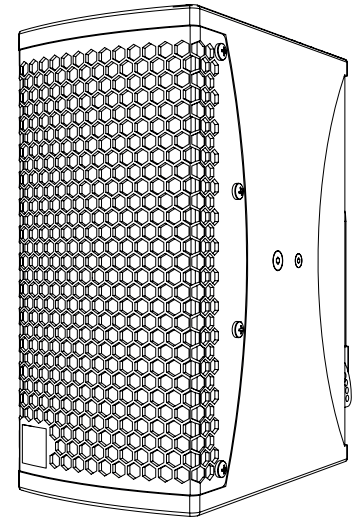
**LUA** Series models are compact, passive loudspeakers that deliver outstanding sonic definition and versatility that combine professional finish and solid construction with original stylish design and excellent acoustic qualities that are ideal for professional audio playback in mobile, AV and distributed sound installed solutions. Ideal for restaurants, pubs, lounges, museums, ...

**LUA i** loudspeakers are specially indicated for fixed installations and those applications in which acoustical performance and aesthetics are essential, above absolute power delivery and road-readiness.

**LUA6i** has been designed as a High-Fidelity work-horse for installations of distributed audio that require truly superior BGM reproduction with minimal impact on the aesthetics of the location and truly rugged and solid construction compared to mosts products in this category. **LUA6i** shares the concept and advantages of **LUA5i**, with increased LF extension and power handling so that, depending on the application, can be used with or without subwoofers.

**LUA6i** features a 1" dome tweeter and a high-performance 6" woofer in a front-firing ported trapezoidal cabinet built with MDF and durable, high resistant IDEA paint coating. The front side of the loudspeaker is protected by a 1.5-mm weatherised steel grille and a internal protective foam.

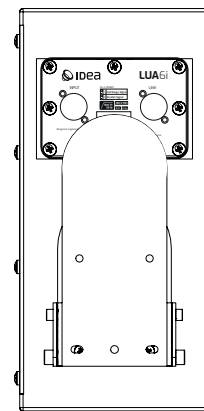
Installation of **LUA6i** is a quick, straightforward operation thanks to the optional rear wall-mount accessory. Six M6 inserts in the rear side of the cabinet allow for both vertical and horizontal installation with the wall-mount bracket.



### OPTIONAL INSTALLATION ACCESSORIES

Dedicated U-Bracket optional accessories are available for **LUA6i** in horizontal and vertical and rear wall-mount versions.

Install de accesorry on the wall, fix the loudspeaker with M8 bolts into the lateral inserts and lock the desired angulation with M6 bolts into one of the 25 diferent positions (for UB-L6i-H and UB-L6i-V) and X positions for rear-mount UB-L6i-R.

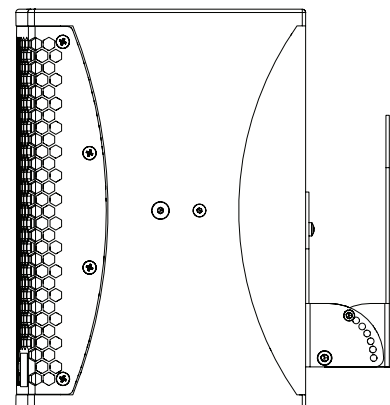


LUA6i optional installation accessories

### SYSTEM CONFIGURATION AND SETTINGS

**LUA6i** is a high performance loudspeaker that requires the LF reinforcement of BASSO Series subwoofers **BASSO10**, wall-mount **BASSO10i** and super-shallow **BASSO12t** (other third-party loudspeakers can also be used provided the settings of the system are preserved).

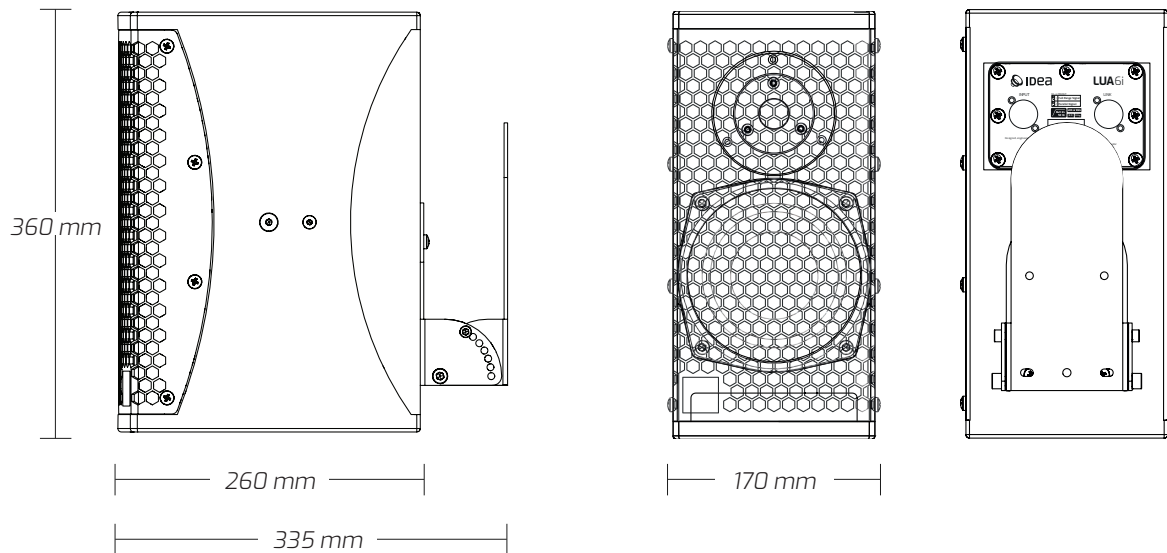
	For best results and long-life performance of this professional audio equipment, a High-Pass Filter Butterworth 24 dB at 50 Hz must be set.
--	---







## TECHNICAL DATA

<b>Enclosure design</b>	Rectangular
<b>HF Transducer</b>	1" Dome Tweeter
<b>LF Transducer</b>	1 x 6" High performance woofer
<b>Power Handling (RMS)</b>	200 W
<b>Nominal Impedance</b>	16 Ohm
<b>SPL (Continuous/Peak)</b>	115/121 dB SPL
<b>Frequency Range (-10 dB)</b>	80 - 23000 Hz
<b>Frequency Range (-3 dB)</b>	100 - 19000 Hz
<b>Coverage</b>	70° Axisymmetric
<b>Dimensions (WxHxD)</b>	170 x 360 x 260 mm (4 x 14.2 x 10.2 in)
<b>Weight</b>	9.3 kg (20.5 lb)
<b>Connectors</b>	2 x Neutrik speakOn NL-4 in parallel
<b>+/-1</b>	Input
<b>+/-2</b>	Link
<b>Cabinet Construction</b>	15 mm Birch Plywood
<b>Grille</b>	1.5 mm perforated weatherised steel with protective foam
<b>Finish</b>	Durable IDEA proprietary Aquaforce high-resistance paint coating process
<b>Installation</b>	4 x M6 inserts
<b>Accessories</b>	U-bracket horizontal (UB-L6i-H), U-bracket vertical (UB-L6i-V), Wall Mount (WM-L6i)

## TECHNICAL DRAWINGS



## WARNINGS AND SAFETY GUIDELINES

- Read this document thoroughly, follow all safety warnings and keep it for future reference.
-  · The exclamation mark inside a triangle indicates that whatever repairing and component replacement operations must be done by qualified and authorized personnel.
- No user serviceable parts inside.
- Only use accessories tested and approved by IDEA and supplied by the manufacturer or an authorized dealer.
- Installations, rigging and suspension operations must be done by qualified personnel.
- Only use accessories specified by IDEA, complying with maximum loads specifications and following local safety regulations.
-  · Read the specifications and connection instructions before proceeding to connect the system and use only cabling supplied or recommended by IDEA. Connection of the system should be done by qualified personnel.
- Professional sound reinforcement systems can deliver high SPL levels that may result in hearing damage. Do not stand close to the system while in use.
-  · Loudspeaker produce magnetic field even while they are not in use or even when disconnected. Do not place or expose loudspeakers to any device that is sensitive to magnetic fields such as television monitors or data storage magnetic material.
- Disconnect the equipment during lightning storms and when it is not to be used for a long time.
- Do not expose this device to rain or moisture.
- Do not place any objects containing liquids, such as bottles or glasses, on the top of the unit. Do not splash liquids on the unit.
- Clean with a wet cloth. Do not use solvent-based cleaners.
- Regularly check the loudspeaker housings and accessories for visible signs of wear and tear, and replace them when necessary.
- Refer all servicing to qualified service personnel.
-  · This symbol on the product indicates that this product should not be treated as household waste. Follow local regulation for recycling of electronic devices.
- IDEA declines any responsibility from misuse that may result in malfunction or damage of the equipment.

## WARRANTY

- All IDEA products are guaranteed against any manufacturing defect for a period of 5 years from date of purchase for acoustical parts and 2 years from date of purchase for electronic devices.
- The guarantee excludes damage from incorrect use of the product.
- Any guarantee repair, replacement and servicing must be exclusively done by the factory or any of authorized service centres.
- Do not open or intend to repair the product; otherwise servicing and replacement will not be applicable for guarantee repair.
- Return the damaged unit, at shipper's risk and freight prepaid, to the nearest service centre with a copy of the purchase invoice in order to claim guarantee service or replacement.

## DECLARATION OF CONFORMITY

I MAS D ELECTROACÚSTICA SL  
POL. A TRABE 19-20 15350 CEDEIRA (GALICIA - SPAIN)  
DECLARES THAT: **LUAGi**  
COMPLIES WITH THE FOLLOWING EU DIRECTIVES:  
ROHS (2002/95/CE) RESTRICTION OF HAZARDOUS SUBSTANCES  
LVD (2006/95/CE) LOW VOLTAGE DIRECTIVE  
EMC (2004/108/CE) ELECTRO-MAGNETIC COMPATIBILITY  
WEEE (2002/96/CE) WASTE OF ELECTRIC AND ELECTRONIC EQUIPMENT  
EN 60065: 2002 AUDIO, VIDEO AND SIMILAR ELECTRONIC APPARATUS. SAFETY REQUIREMENTS.  
EN 55103-1: 1996 ELECTROMAGNETIC COMPATIBILITY: EMISSION  
EN 55103-2: 1996 ELECTROMAGNETIC COMPATIBILITY: IMMUNITY



[www.ideaproaudio.com](http://www.ideaproaudio.com)



For further information scan the QR Code  
or refer to the following web address: [www.ideaproaudio.com/product-detail/lua-6i](http://www.ideaproaudio.com/product-detail/lua-6i)

IDEA is always in pursuit of better performance, greater reliability and design features.  
Technical specifications and minor finish details may vary without notice in order to improve our products.

©2023 - I MAS D Electroacústica SL

PoL A Trabe 19-20 15350 Cedeira (Galicia - Spain)